



KUMBHOJKAR'S

PLASTIC TOOL POCKETS

Best way to store, carry & protect
BT 30, 40, 50 Tool Holders



Overall size in mm

	L	B	H	Clamping size
BT - 30	140	51	50	125
BT - 40	140	65	65	125
BT - 50	140	104	90	125

- Systematic & Vertical Storage of Tools
- Protection from scratches, Dents etc., to tool holder due to unique design & high quality Engineering Plastic Material
- Instant identification of tools
- Easy to mount on any trolley with the help of Allen Bolts
- Most cost effective protection

**Universal
Tool Pocket**



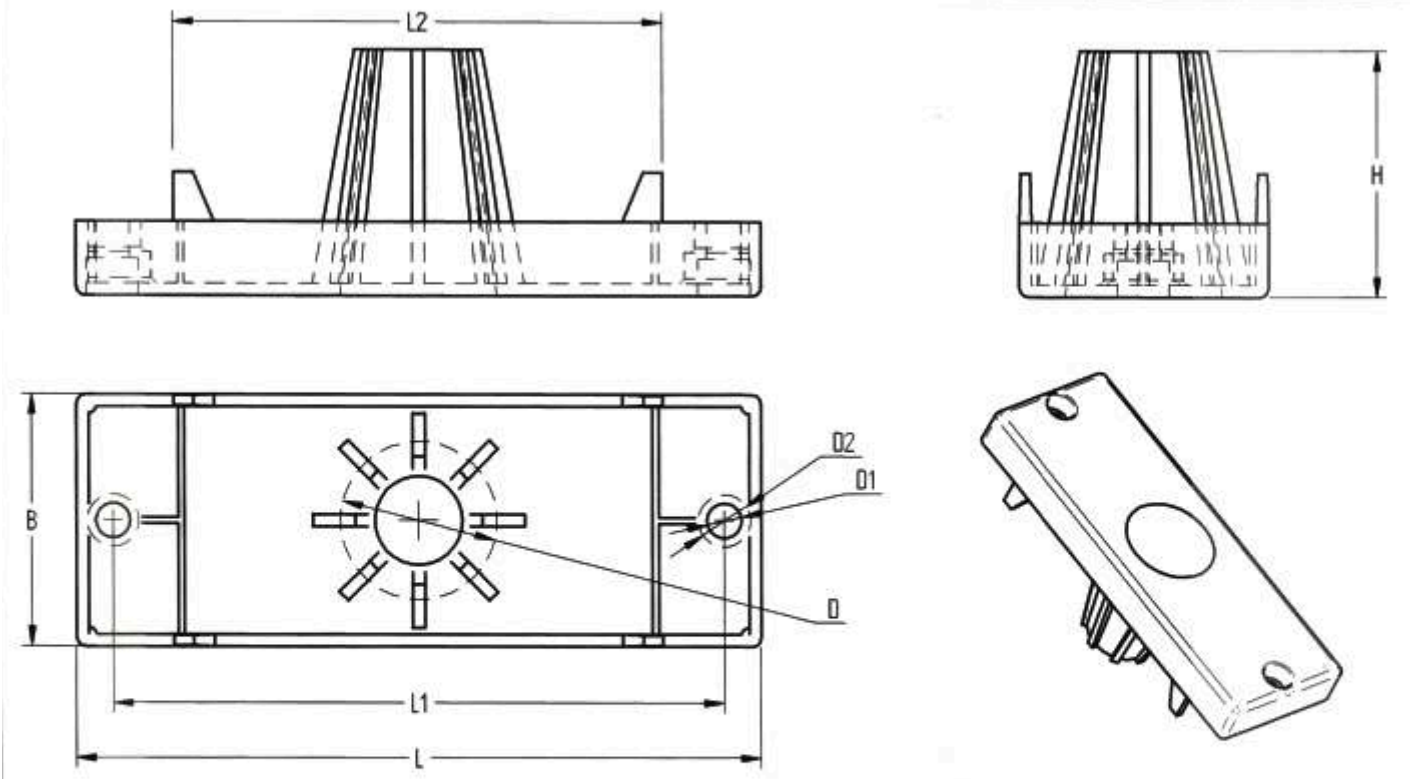
(details on request)



KUMBHOJKAR'S

PLASTIC TOOL POCKETS

Best way to store, carry & protect
BT 30, 40, 50 Tool Holders



TOOL POCKET	D	D1	D2	L	B	H	L1	L2
BT - 30	32	7	10.5	140	51	50	125	100
BT - 40	45	7	10.5	140	65	65	125	100
BT - 50	70	7	10.5	140	104	90	125	100



KUMBHOJKARTM PLASTIC MOULDERS

129, Narayan peth, Sitaphal Baug Colony, Near Mati Ganpati, Pune : 411 030. Tel.: 020-24450055/24450060.

Fax : 020-24480544 • Website : <http://www.plamoulds.com> • Email : kpss@plamoulds.com